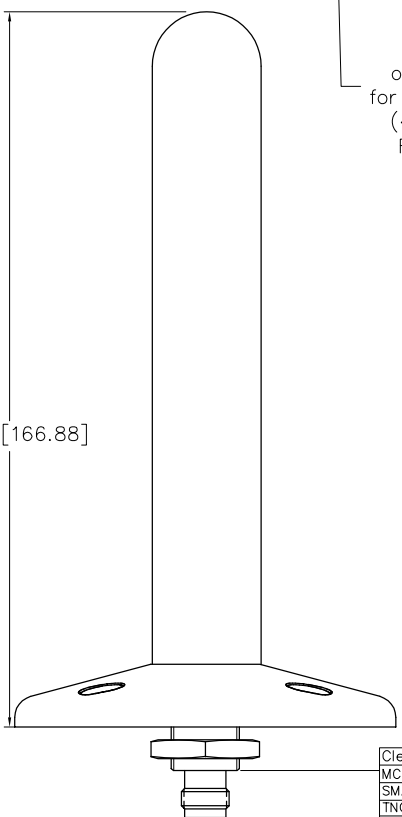
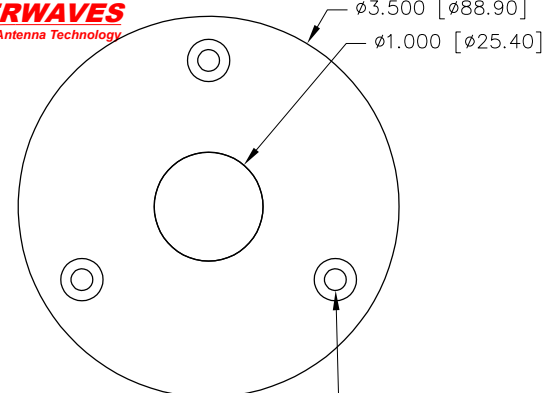


NOTICE OF PROPRIETARY RIGHTS
 THIS DOCUMENT CONTAINS CONFIDENTIAL TECHNICAL DATA INCLUDING TRADE SECRETS PROPRIETARY TO MATTERWAVES CORP. DISCLOSURE OF THIS DATA TO YOU IS EXPRESSLY CONDITIONED UPON YOUR ASSENT THAT ITS USE IS LIMITED TO USE WITHIN YOUR COMPANY ONLY (AND DOES NOT INCLUDE MANUFACTURE OR PROCESSING USES). ANY OTHER USE IS STRICTLY PROHIBITED WITHOUT PRIOR WRITTEN CONSENT OF MATTERWAVES CORP.



3x ϕ .201 [ϕ 5.11] Thru
 ϕ .385 [ϕ 9.78] X 100"
 on R1.344 [R34.12] Radius
 for 10-32 FLAT HEAD SCREWS
 (4-HOLES FRPA MOUNTING
 FOOT PRINT IS AVAILBLE)

TNC-BH
 5/8-24 UNEF-2A
 D=0.624 [15.85]
 L=0.400 [10.17]
 316 Stainless Steel
 Bulk-Head Mount
 With Hex Nut

Clearance: Z:	HOLE DIA.:
MCX/MMCX: 0.25" [6.37]	0.40" [11mm]
SMA: 0.46" [11.68]	0.40" [11mm]
TNC: 0.57" [14.53]	0.52" [13mm]
TNC-BH: 0.83" [21.00]	0.63" [16mm]
N, N-BH: 0.72" [18.29]	0.63" [16mm]

ELECTRICAL: **SPECIFICATIONS**

FREQUENCY (MHz):	(1227.60 ±15)	(1542.50 ±17.5)	(1575.42 ±15)	(1602-1616)	(1610-1626)	(1642.50 ±17.5)
GAIN (dBic) in FS	L2 GPS	Rx INMARSAT	L1 GPS	GLONASS	IRIDIUM	Tx INMARSAT
@ 90° (Top Zenith):	- 10.5	- 2.4	- 1.2	- 0.2	0.0	- 0.8
@ 10° Elevation:	- 10.6	- 2.5	- 1.3	- 0.3	0.0	- 0.9
@ 20° Elevation:	- 9.3	- 1.2	0.0	+ 1.0	+ 1.2	+ 0.4
@ 30° Elevation:	- 8.6	- 0.5	+ 0.7	+ 1.7	+ 1.9	+ 1.1
@ 45° Elevation:	- 8.6	- 0.5	+ 0.7	+ 1.7	+ 1.9	+ 1.1
@ 70° Elevation:	- 9.9	- 1.8	- 0.6	+ 0.4	+ 0.6	- 0.2

AXIAL RATIO (dB)	(1-2)
RADIATION PATTERN:	HEMISPHERICAL
POLARIZATION:	RHCP
VSWR:	< 1.5:1
DC GROUNDING:	YES (LIGHTNING PROTECTION)

MECHANICAL:

SIZE: DIAMETER = 1 in. [25.4 mm] (TOP), 3.500in [89mm] BOTTOM
 HEIGHT = 6.570 in. [167 mm]

WEIGHT: 2 oz. (57 g)

FINISH: TEFLON COATED OR SKYDROL RESISTANT POLYURETHANE ENAMEL

COLOR: GLOSS WHITE #17925 PER FED-STD-595B
 LUSTERLESS GRAY #36320 PER FED-STD-595B
 OLIVE DRAB GREEN #34031 PER FED-STD-595B
 LUSTERLESS BLACK #37038 PER FED-STD-595B

MATERIAL: 316 STAINLESS STEEL
 COMPOSITE RADOME, IMPACT, ABRASION, UV, SOLVENT AND SKYDROL RESISTANCE, FIRE RETARDANT

CONNECTOR: TNC FEMALE BULK-HEAD
 (OPTION: SMA, N, MCX, MMCX, SMB, SSMB, or Cable)

MOUNTING: FLAT TOP MOUNT, OR BRACKET/PIPE MOUNT

ENVIRONMENTAL:

TEMPERATURE: -71 °F TO +203 °F [-57 °C TO +95 °C]

ALTITUDE: 35,000 ft.

VIBRATION: > 30 G's

WIND SPEED: > 135 Miles/hr

LEAKAGE / IP RATING: HERMETICALLY SEAL / IP69K

FEDERAL & MILITARY SPECIFICATIONS DESIGNED TO:

T50-C129/C139/C144, MIL-C-5541F(Finish), MIL-DTL-14072(Finish), DO-160D/228(Test)
 MIL-STD-810G(Test), MIL-STD-461E/F(Elec Interfer), MIL-STD-464C(ELEC MAG), SAE J1455(Env)
 MIL-STD-202(Elec Comp), MIL-HDBK-5400/454(Elec Eq), MIL-PRF-39012(Con), MIL-STD-889B(Metal)
 EN 55155(Terminals), RCC-319-14 (Termination), MIL-STD-129/1285(Marking), MIL-STD-130N-1(ID)
 MIL-C-85704B(Solvent), MIL-G-81827(Grease), RCC-324-01(Safety), MIL-I-45208A/NAS411-1(HAZ)

QUANTITY REQD	SEPARATED PART DESCRIPTION	PART NO	ITEM NO
3	10-32 0.5in PAN HEAD SCREWS	91772A829	6
			5
			4
1	OPTIONAL 316 STAINLESS STEEL BRACKET MOUNT	MAT-MOUNT1B	3
1	OPTIONAL 316 STAINLESS STEEL PIPE MOUNT	MAT-M-PIPE1	2
1			1
			1

P/N: MAT-73RW-IR-P-XTB-1

SIZE: 1.2 = 1.2" Sq., 1 = 2" Sq. 1.9 = 1.9" Sq., 2.6 = 2.6" Dia. 3.5 = 3.5" Dia., 4 = MINI ARINC 743 = ARINC 743 52 = 5" Dia. SURVEY	FREQUENCY BAND: L1 or 15 = L1 GPS L1L2 or 1215 = L1L2 GPS; IR = IRIDIUM 1216 = L1L2 GPS/GLONASS L1L2L5. 16 = L1GNSS, GNSS, IRIDIUM IN: IRIDIUM/INMARSAT, T: THURAYA	LNA: A: WITH LNA A4: WITH 40dB LNA P: WITHOUT LNA	INTEGRATED CABLE: X: NO CABLE, M: BIG MAG MN: FLUSH MAG #: CABLE LENGTH (METER) 157: 4 METERS (<2DB LOSS) 275: 7 METERS (<2DB LOSS)	CONNECTOR: S: SMA-FEMALE T: TNC-FEMALE, N: N-FEMALE TB: TNC-BH, TM: TNC-MALE N: N-FEMALE, NM: N-MALE NB: N-BH	COLOR PER FED-STD-595B: -1: GLOSS WHITE #17925 -2: LUSTERLESS GRAY #36320 -3: CAMO GREEN #34094 -4: LUSTERLESS BLACK #37038 -5: DESERT SAND #33446 -U: TEFLON COATED
--	---	---	---	---	---

UNLESS OTHERWISE SPECIFIED DIMENSIONS ARE IN INCHES
 FRACTIONS ARE IN INCHES
 DECIMALS ARE IN INCHES
 ANGLES ARE IN DEGREES
 ± 1/64 .XXX ± 1'
 .XXX ± .005
 .XXX ± .005
 TOLERANCE SYM PER ANSI Y14.5
 REMOVE ALL BURRS
 BREAK EXTERNAL EDGES .005 TO .015
 FILE TO R.005 TO R.010
 SCREW THREADS PER MIL-S-8879
 DIA'S ON A COMMON & 2X
 MACHINED SURFACES 125/

ANTENNAS@MATTERWAVES.COM www.MATTERWAVES.com TORRANCE, CALIFORNIA

CHECKED: ENGINEER: APPROVED: S. HUYNH JUNE-12-18

SCALE 1/1 HTS: 8529104000 | ECCN: 7A994/5A991.g